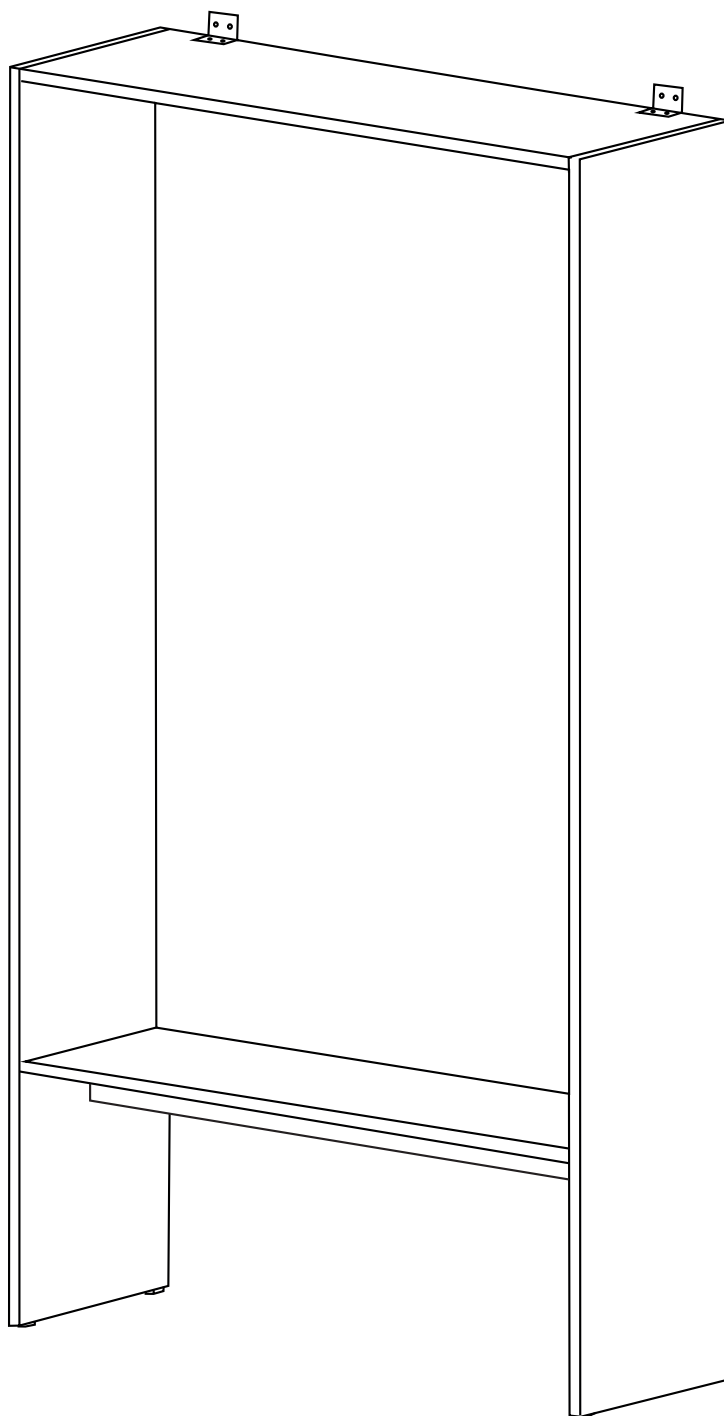

MOOD BOARD BÆNK / MOOD BOARD BENCH

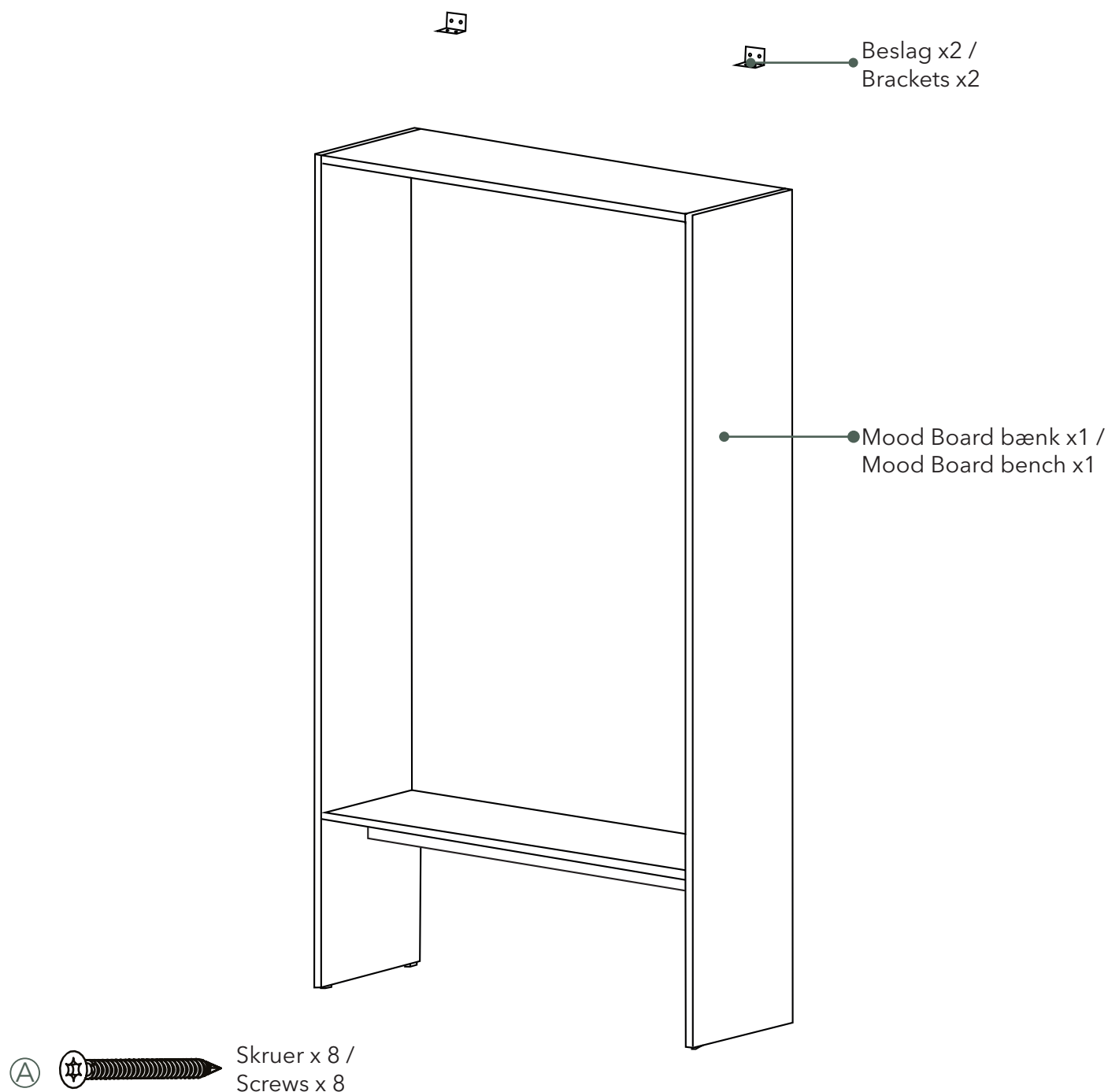
Samvejledning /
Assembly instruction



Stykliste / Parts list

DA: Dele til samling af Mood Board bænken kan ses nedenfor. Der er behov for at anvende en skruetrækker. Venligst sikre styrken af vægen før opsætning. For demontering start fra enden.

EN: Parts for the assembly of the Mood Board Bench can be seen below. Additionally, there is a need to use a screwdriver. Please ensure the strength of the wall before setup. For disassembly start from the end.

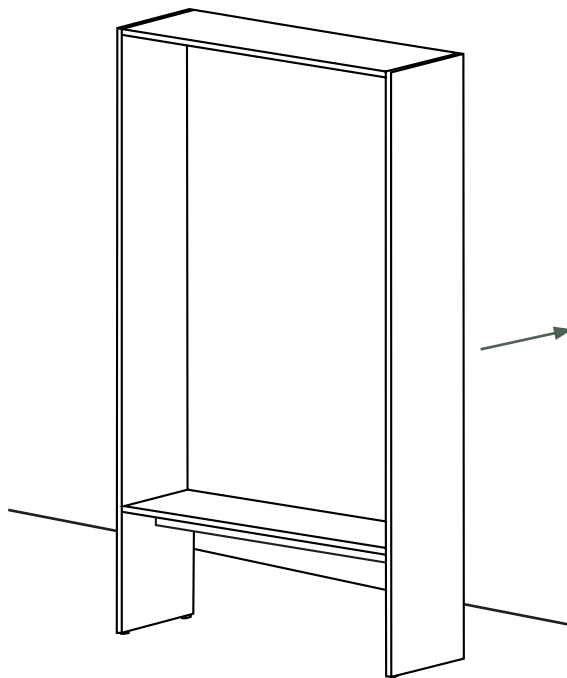


Samvejledning / Assembly instructions

Step 1:

DA: Placere Mood Board bænken op ad den valgte væg. Mood Board bænken kan også fastgøres til et skabsforløb.

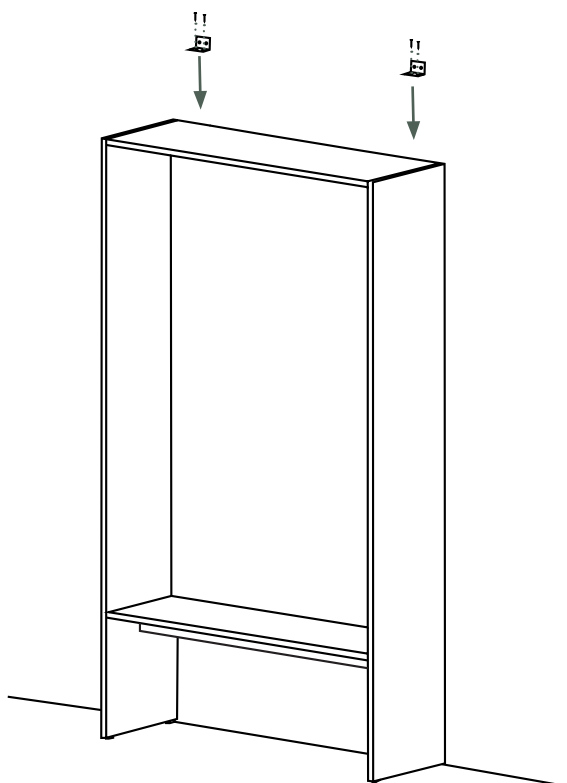
EN: Position the Mood Board bench up against the selected wall. It is also possible to attach the Mood Board bench to a cabinet.



Step 2:

DA: Placere beslagene på toppen af Mood Board bænken. Disse skrues fast med almindelige spånskruer.

EN: Place the brackets on top of the Mood Board bench. These are screwed into the Mood Board bench with ordinary chip screws.



Step 1:

DA: Derefter monteres beslagene fast til væggen med skruer.

EN: Then attach the brackets to the wall with screws.

