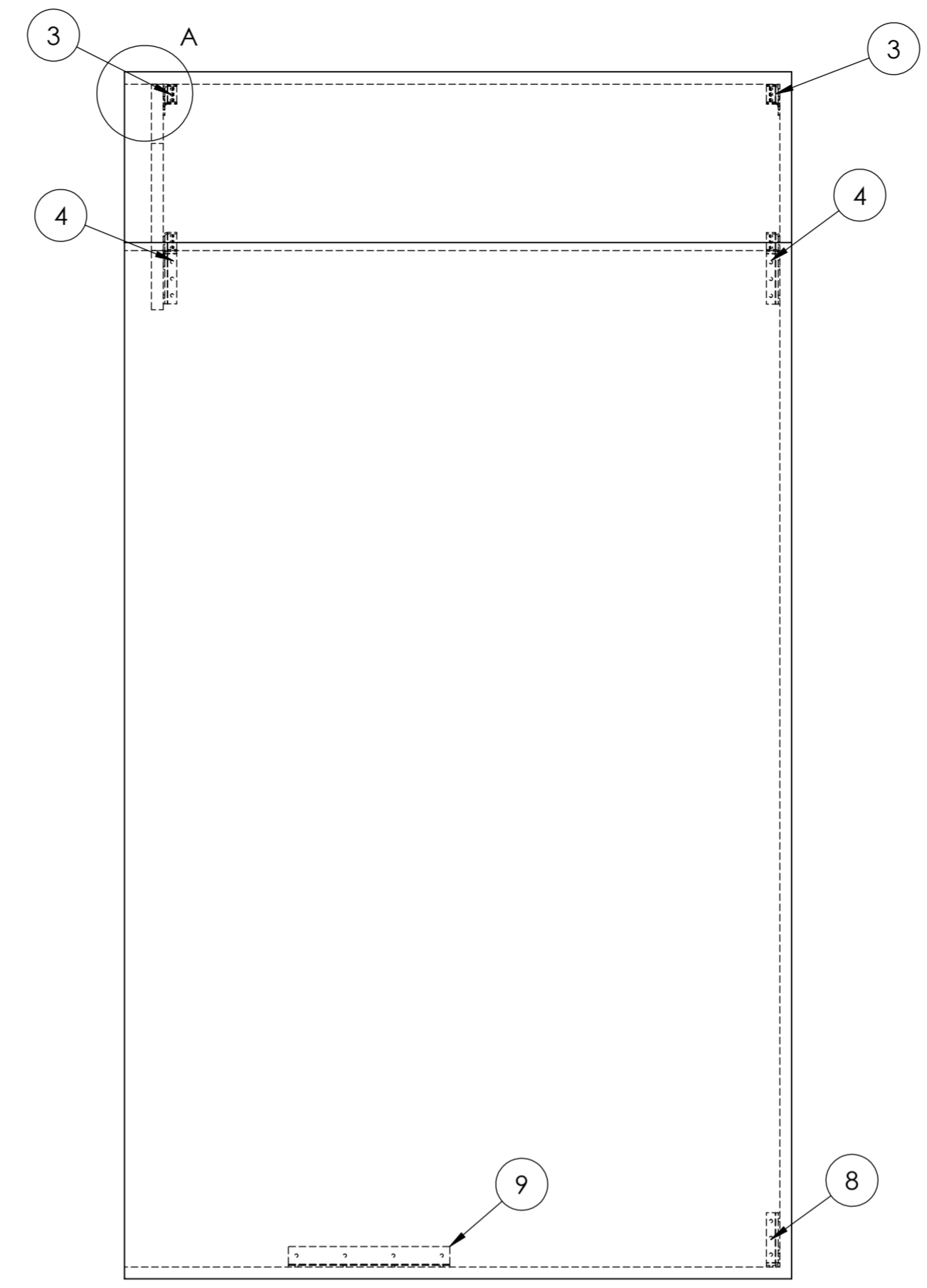
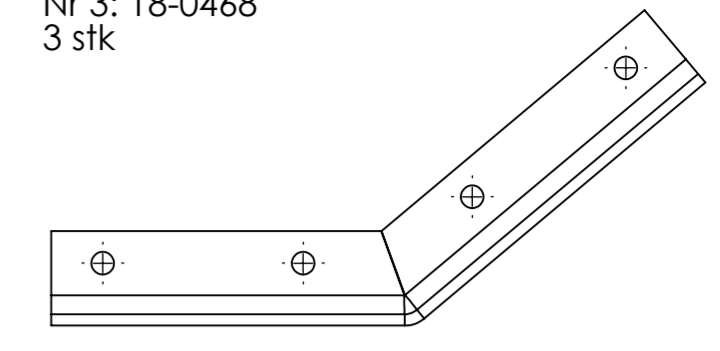


FRONT

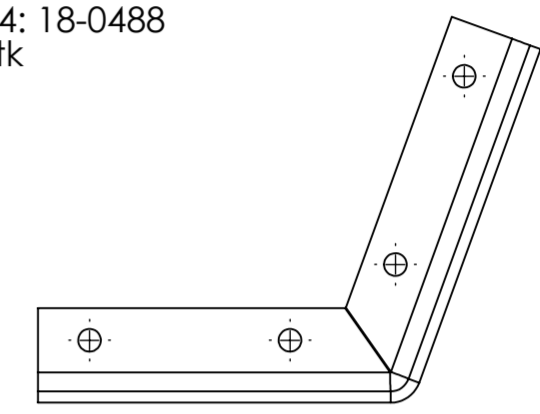


SIDE

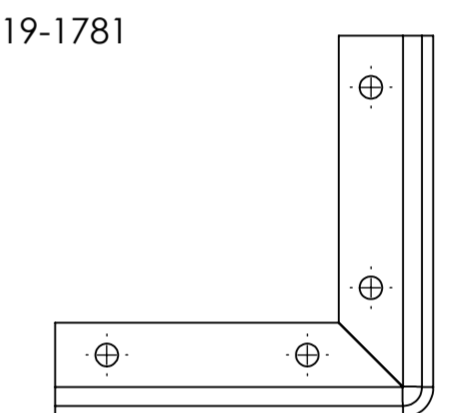
Nr 3: 18-0468
3 stk



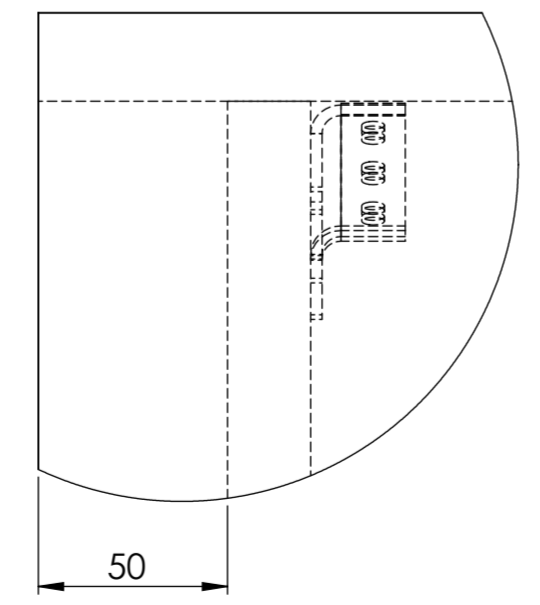
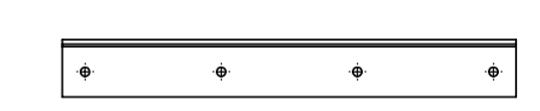
Nr 4: 18-0488
4 stk



Nr 8: 19-1781
2 stk



Nr 9: Amfi vinkel
2 stk

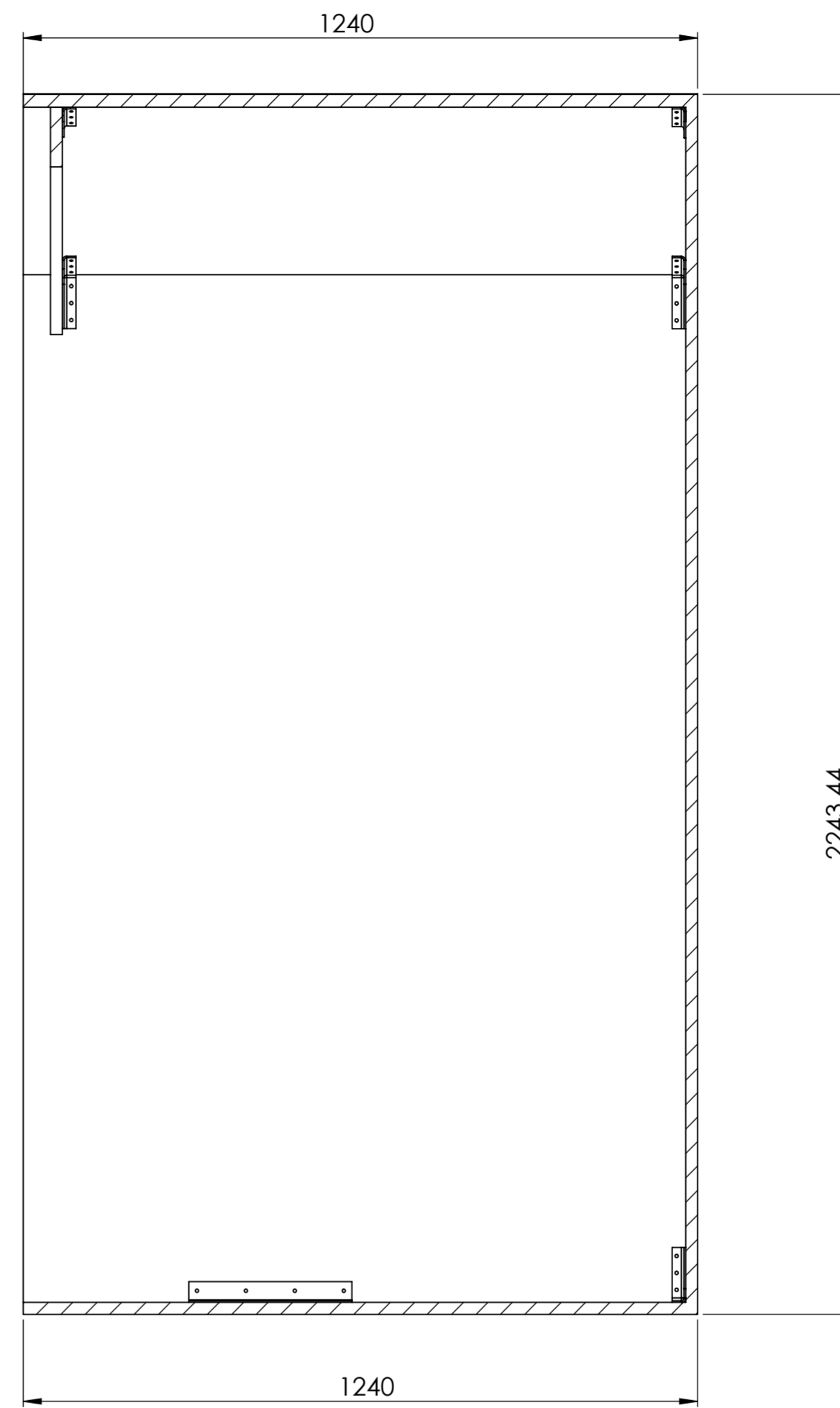
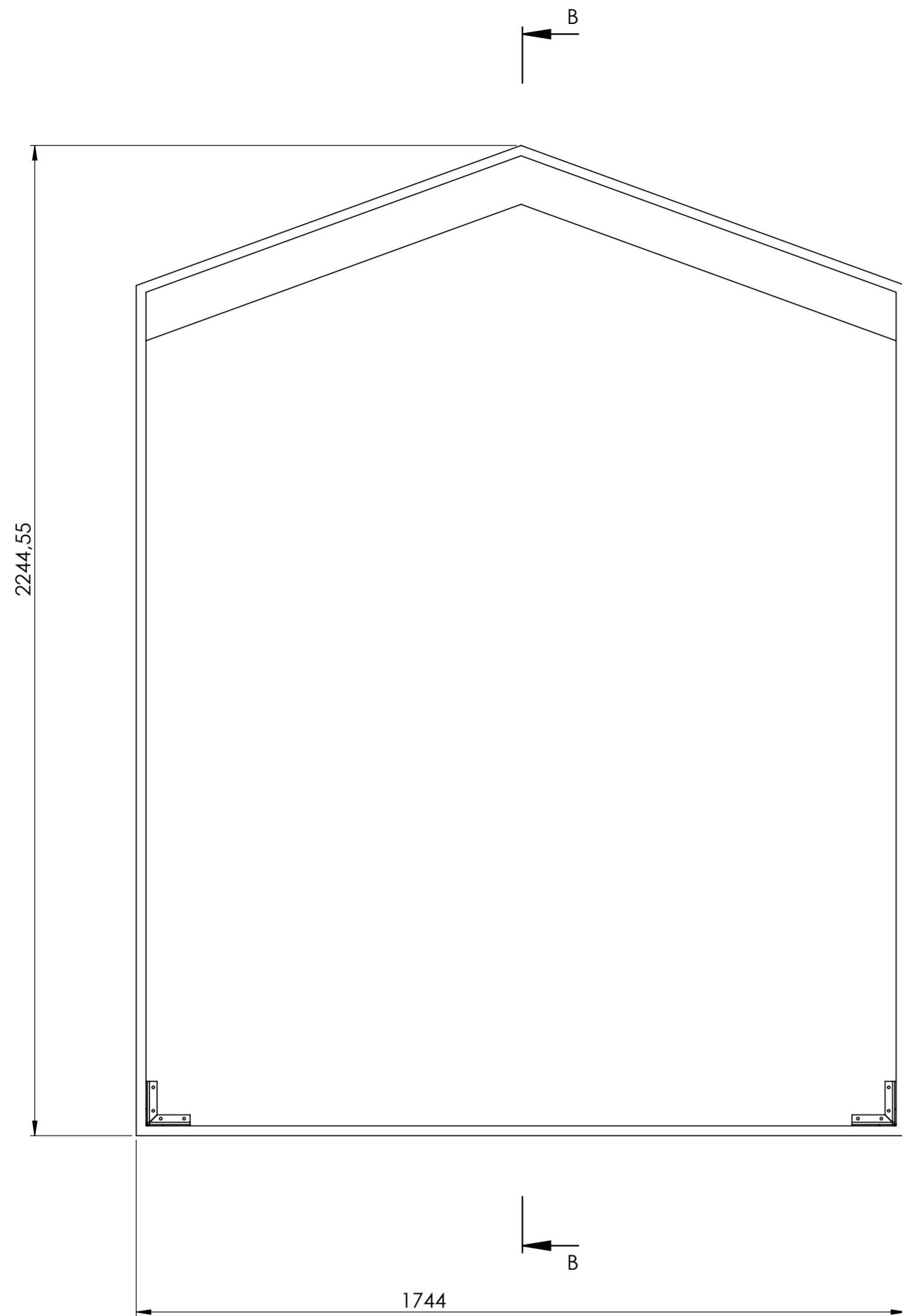


DETAIL A
SCALE 1:2


OBS: Bunden er rå krydsfinerplade.
Skruer M5x16 medfølger

ITEM NO.	DrawingNo	ProductNo.	Description	QTY.
3	18-0468		Beslag til "Jens" hus	2
4	18-0488		135 grader beslag	4
6	19-1782		Front plade - hus	1
8	19-1781		vinkel 90 - hus	2
9	N/A	30-0250-016	Amfi vinkel	2

 www.furnx.dk		UNLESS OTHERWISE SPECIFIED: DIMENSIONS ARE IN MILLIMETERS TOLERANCES: LINEAR: ANGULAR:	DO NOT SCALE DRAWING REVISION A-2 01-03-2021	DESCRIPTION
NAME DRAWN Lars Simensen	DATE 22-10-2019	DEBUR AND BREAK SHARP EDGES	Description:	
MATERIAL:		DRAWING NUMBER: samling		
SURFACE CHARACTER:		SCALE: 1:50		
WEIGHT:		SHEET 1 OF 3		



SECTION B-B
SCALE 1 : 10

 www.furnx.dk		UNLESS OTHERWISE SPECIFIED: DIMENSIONS ARE IN MILLIMETERS	DO NOT SCALE DRAWING	REVISION A-2	DESCRIPTION
DRAWN: Lars Simensen		DATE: 22-10-2019	TOLERANCES: LINEAR: ANGULAR:	A 01-03-2021	Description:
MATERIAL:			DRAWING NUMBER:		
SURFACE CHARACTER:			samling		
WEIGHT:			SCALE: 1:50		SHEET 2 OF 3