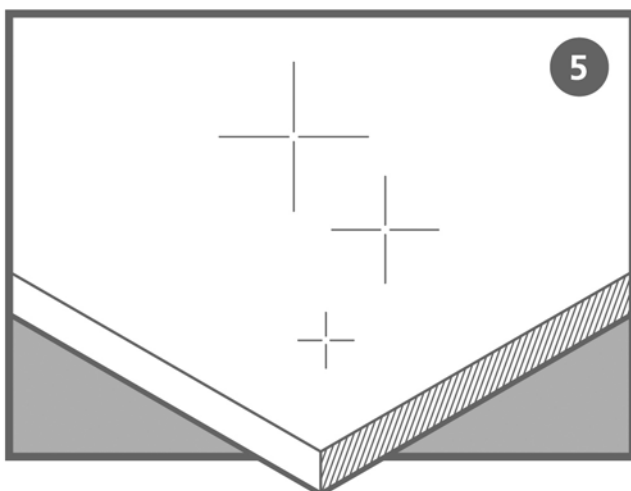
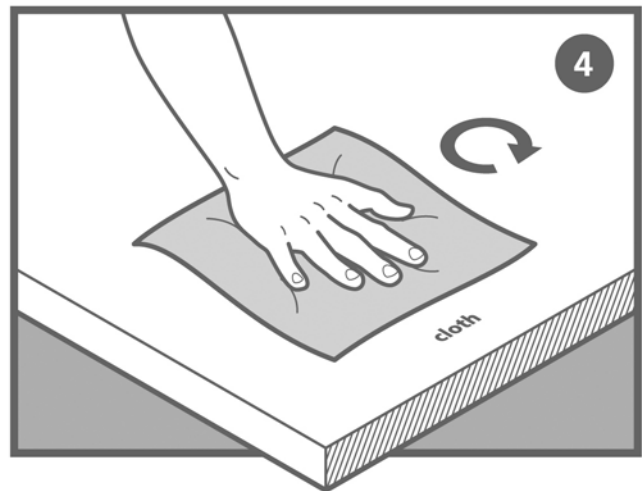
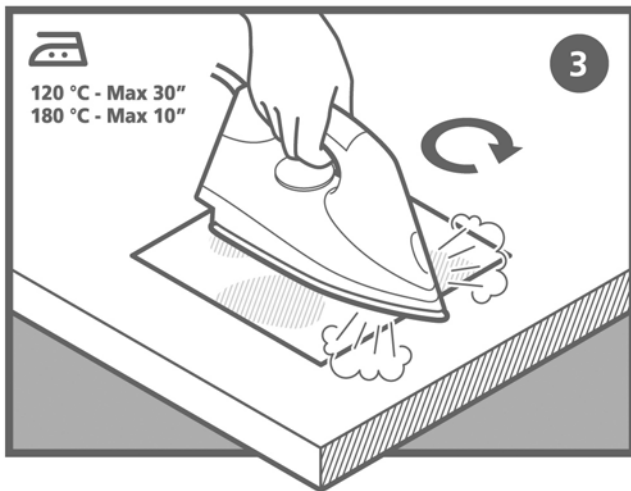
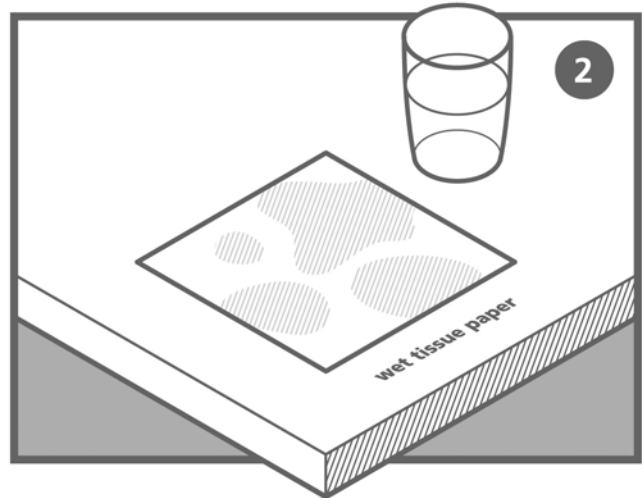
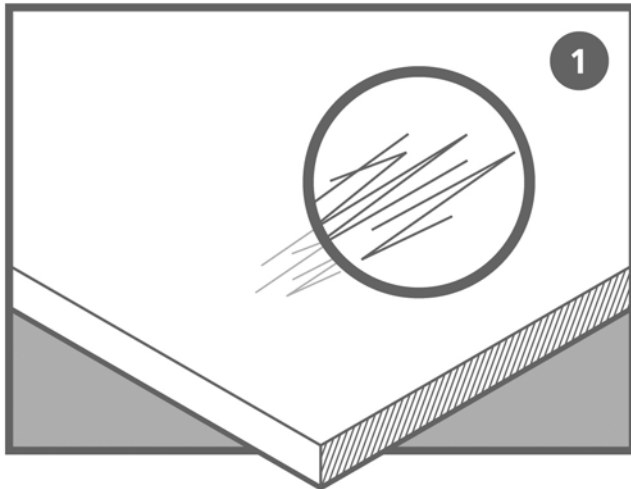




## MAINTENANCE INSTRUCTIONS. IRON.

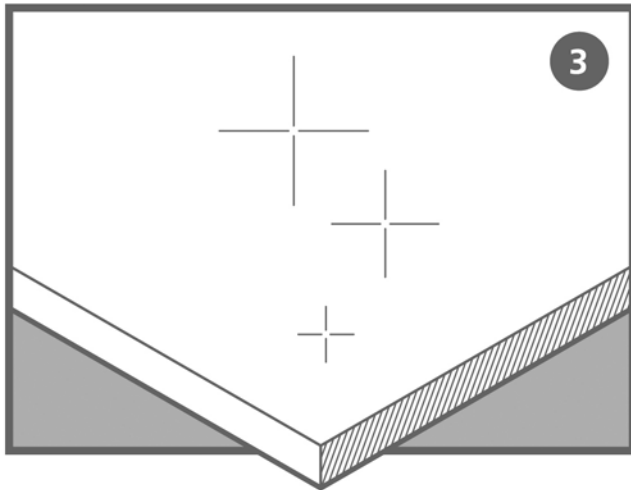
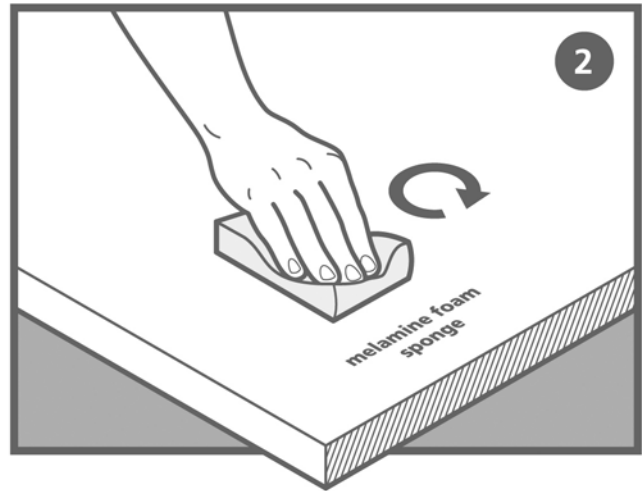
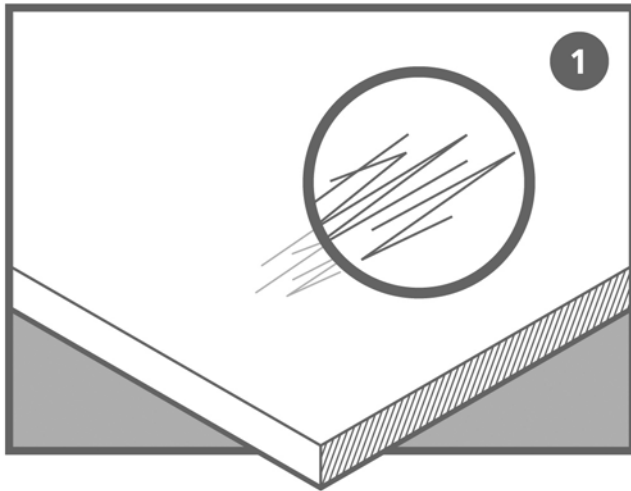


**FENIX NTM** is a material for interior design with advance surface features.





## MAINTENANCE INSTRUCTIONS. MELAMINE FOAM SPONGE.



**FENIX NTM** is a material for interior design with advance surface features.

