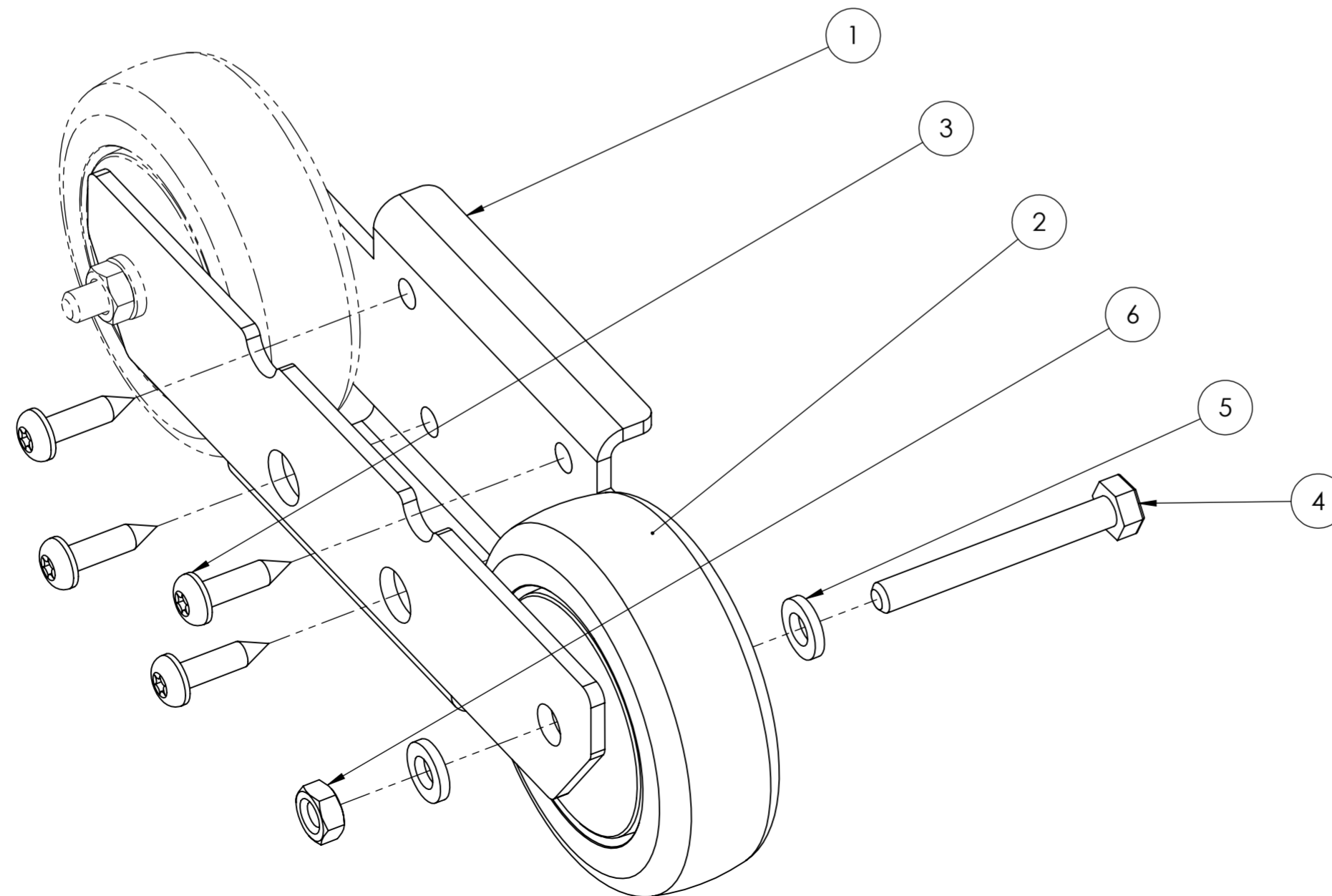


Hjul monteres efter hvilken side af sengen beslaget monteres



ITEM NO.	DrawingNo	ProductNo.	Description	QTY.
1	T30-00087	#GR-09-3720686-006#	Hjulbeslag	1
2	T30-00057	#60-24-14#	Hjul ø75 (Tente)	1
3	N/A	60-30-05	Spånskruer Ø5x20	4
4	N/A	60-31-001	Bolt M6x50	1
5	N/A	60-32-05	Møtrik M6	1
6	L10-00018	#???	Skive M6	2



NAME: DATE: 19/2-2015

MATERIAL:

SURFACE CHARACTER:

Weight: 0.14 kg.

UNLESS OTHERWISE SPECIFIED:
DIMENSIONS ARE IN MILLIMETERS
TOLERANCES:
LINEAR: ISO 2768-1-m
ANGULAR: ISO 2768-1-m

DEBUR AND BREAK SHARP EDGES

SCALE: A2 1:2

DO NOT SCALE DRAWING

SHEET 1 OF 1

PRODUCT NAME: Hjul sæt til Sleep
PRODUCT NUMBER: #09-T9002#

DESCRIPTION: Hjul - samling

DRAWING NUMBER: T30-00075
Rev.

Dimension distance	Class - m
0.5 up to 3	±0.1
over 3 up to 6	±0.1
over 6 up to 30	±0.2
over 30 up to 120	±0.3
over 120 up to 400	±0.5
over 400 up to 1000	±0.8
over 1000 up to 2000	±1.2
over 2000 up to 4000	±2.0

Tolerances - Linear	ISO 2768-1-m
Dimension distance	Class - m
0.5 up to 3	±0.1
over 3 up to 6	±0.1
over 6 up to 30	±0.2
over 30 up to 120	±0.3
over 120 up to 400	±0.5
over 400 up to 1000	±0.8
over 1000 up to 2000	±1.2
over 2000 up to 4000	±2.0